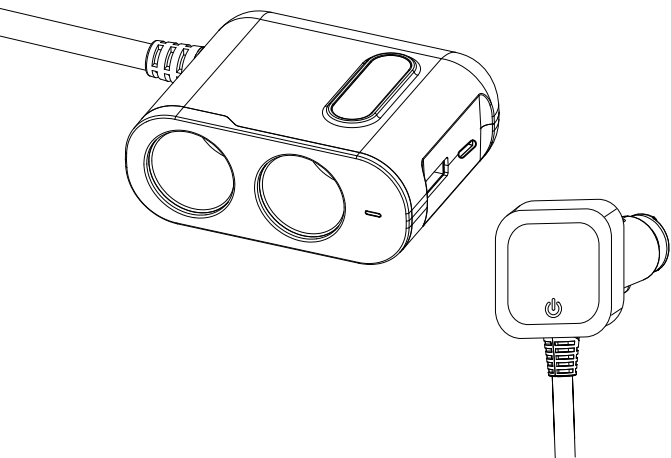


RESPONSE

2 Way Car Charger with 2 USB Ports

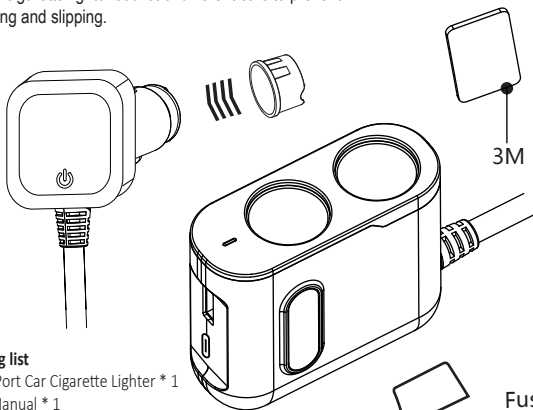


PP2124

Instruction Manual

Silicone for Plugging Firmly

The car charger came with a rubber ring that plugs securely into the cigarette lighter socket of different cars to prevent loosening and slipping.



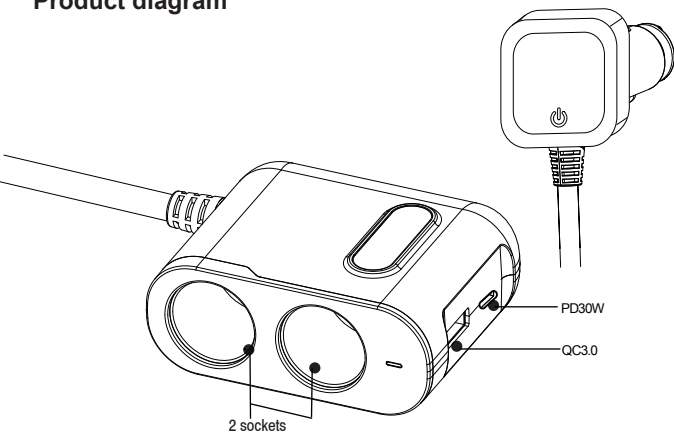
Packing list

- Multi-Port Car Cigarette Lighter * 1
- User Manual * 1
- Anti-slip Rubber Kit * 1
- Donus Micro-blade Fuse 15A * 1

Specifications

Car Cigarette Lighter Input:	DC12-24V=15A
Total Output:	12-24V=143-300W
Type C1 Output:	5V=3A 9V=3A 12V=3A 15V=3A 20V=3.25A PPS:3.3-11V=5A
USB1 Output:	5V=3A 9V=2A 12V=1.5A
Type C2 Output:	5V=3A 9V=3A 12V=2.5A PPS:3.3-11V=3A
USB2 Output:	5V=3A 9V=3A 12V=2.5A
Car socket Output * 2:	12-24V=108-216W
Cable length:	1M

Product diagram



Installation

- 1) Simply plug the unit into the cigarette lighter socket of your vehicle.
- 2) Make sure it is fully inserted and secure.

How to charge your USB mobile device

- 1) Start the vehicle.
- 2) Make sure the plug is fully inserted into your cigarette lighter socket.
- 3) Plug one end of your original USB cable into the any USB power, and the other end into your mobile device.
- 4) Charging should begin automatically.

Handy tips: For the fastest and safest charging, use a Type-C charging cable with a specification of at least 4A to charge your MacBook Air/Pro for faster charging.

WARRANTY INFORMATION

Our product is guaranteed to be free from manufacturing defects for a period of

If your product becomes defective during this period, Electus Distribution will repair, replace, or refund where a product is faulty; or not fit for intended

This warranty will not cover modified product; misuse or abuse of the product contrary to user instructions or packaging label; change of mind and normal wear and tear.

Our goods come with guarantees that cannot be excluded under the Australian Consumer Law. You are entitled to a replacement or refund for a major failure and for compensation for any other reasonably foreseeable loss or damage. You are also entitled to have the goods repaired or replaced if the goods fail to be of acceptable quality and failure does not amount to a major failure.

To claim warranty, please contact the place of purchase. You will need to show receipt or other proof of purchase. Additional information may be required to process your claim.

Any expenses relating to the return of your product to the store will normally have to be paid by you.

The benefits to the customer given by this warranty are in addition to other rights and remedies of the Australian Consumer Law in relation to the goods or services to which this warranty relates.

This warranty is provided by:

Electus Distribution

Address 46 Eastern Creek Drive, Eastern Creek NSW 2766

Ph. 1300 738 555